

## CRANE RENEWABLE ENERGY



## Solar PV Carport

### New Product Launch



## EV SOL Carports

In the future renewable energy will play a central role in the electricity generation sector. Future proof your house and avoid price increases by the utilities. Limit the effects of climate change and environmental damage by generating your own. Parking areas with solar carports provide a welcome opportunity for the use of clean photovoltaic electricity generation during daylight hours when demand on the grid is highest. They keep cars cool in the summer and dry all year round. We can also supply **P.Charge**, an electric charging point for electric vehicles.

**Everyone can generate 50-100%+ of their electricity demand!**

Together with our competent partners, Crane RE, we offer 2 carport models.



## ERGO

### Specifications:

15 x 240 W PV panels with total generating power of 3.6 kW<sub>p</sub>

Ergo Single for 2 cars - Ergo double for 4 cars

Inverter Steca Grid 2010 D Master & Slave M incl. cabling

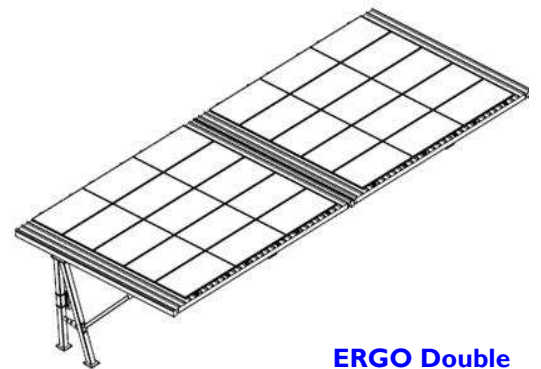
Galvanized steel construction with metal deck roof at 5° pitch providing full weather protection all year

Footprint: 24.9 m<sup>2</sup>

Withstands snow load of >1.20 kN/m<sup>2</sup> & wind of >0.58 kN/m<sup>2</sup>

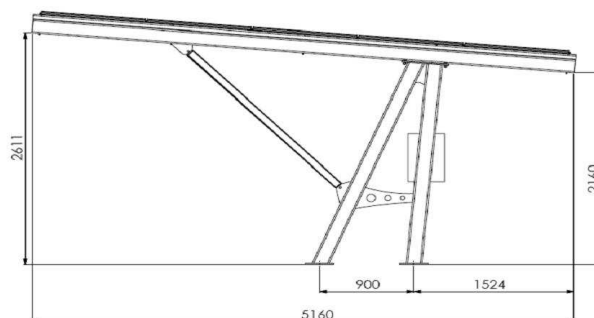
All equipment is 'Made in Europe' & fully certified

Carports can be personalized with company logo or other advertising



ERGO Double

- Innovative design to produce min. 50% of electricity demand for an average house or >100%+ for EV's.
  - Modular design for 2 or more cars.
  - Minimum 3.6 kW<sub>p</sub> output for single frame.
  - Powder coated galvanized frame with grid-connected Photovoltaic roof.
  - Ideal for electric car charging stations.
- Perfect for shopping centres, supermarkets, office buildings or anywhere with open parking areas.



Our carports and other PV systems are custom designed. Please contact us with your requirements.

**You will be pleasantly surprised!**

